



Men of Iron Display Base

The Men of Iron display base is a very simple but important part of the flags and banners of Men of Iron. This base allows both households and individuals to stand a flag or banner anywhere within a room for a feast or household meeting. Also called pyramid bases, these work very well for most all of the flag applications found in Men of Iron.

Making a Display Base

Materials needed

1- 2x12x6
1 wood glue
Finish nails- 2 1/4"

Equipment needed

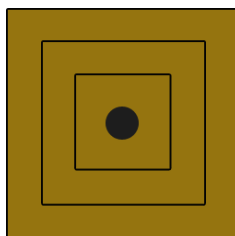
Saw (Electric miter saw, hand held circular saw or table saw).
Tape measure
Carpenters pencil
Bar clamps
Hammer or pneumatic finish nailer and associated equipment
Drill (drill press or hand held)
Forstner or paddle drill bits
Spirit Level
Sandpaper w/ sanding block or sander
Paint or stain

Instructions

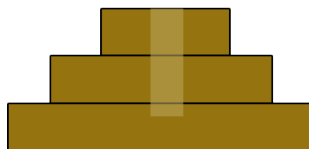
Take the 2x12 and mark out the three pieces. You will need 1- 12"x12", 1- 8"x8", and 1- 4"x4". A six foot 2x12 should yield 2 display bases. When stacked, your base should look like the image in figure 1.

After marking, carefully cut each piece out. After cutting, sand the flat areas and the edges smooth to knock off any sharp edges. If you want to put a decorative edge on the base, you will need a router with the appropriate profile bits you desire. This should be done before you go any further with this project.

After sanding lightly draw a line from corner to corner to mark where you will place the next piece (Fig 2). You will need to do this on all three pieces. Draw the line just light enough to see to position each layer and so it can be easily sanded off.



Top view



Side View

Figure 1

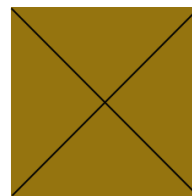


Figure 2



Spread wood glue on the entirety of the reverse side of the X and position on the top piece and place on the middle . Use some scrap pieces of wood to span across the two pieces and clamp the top and middle pieces together (Fig 3).

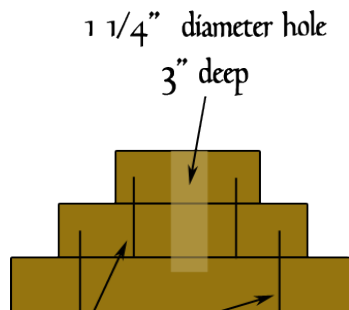


Figure 4

the need for a drill bit.

When the glue dries, nail the pieces together (Fig 4) and then repeat the process for the third piece of the base. To prevent cracking, pre-drill the nail holes and set them with a nail set.

You can place a finish nail in the chuck of a hand held drill and it will drill a perfect pilot hole for the nails without

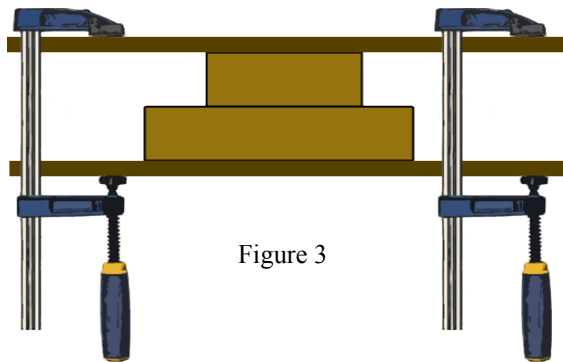
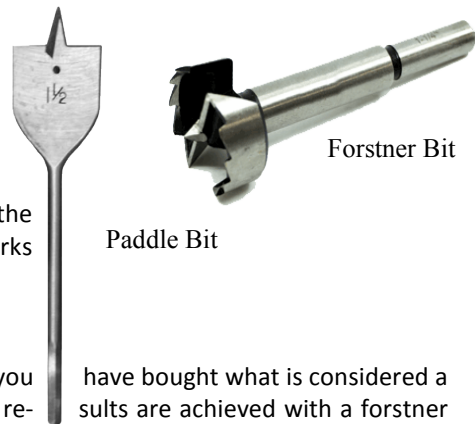


Figure 3

After the glue has dried and the nails have been set, it is ready to drill the hole for the pole. When all three layers are secured, sand the pencil marks off.

If you purchased the flag pole at your local lumber yard, it is likely that you have bought what is considered a closet rod. Normally it will have a diameter of the of 1 1/4". The best results are achieved with a forstner (fig 5). If you don't have access to these tools a hand held drill and paddle bit will work just as well. Select the appropriate size forstner or paddle



Paddle Bit

Forstner Bit

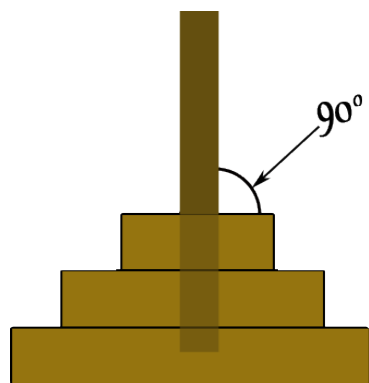


Figure 5

bit and drill a test hole in a scrap piece of wood to check the fit. It should be a tight fit, but not so tight that you cannot seat the rod in the base the full 4 1/2". Remember, you can always remove incremental amounts of wood from the rod but you cannot replace it. A sloppy fit will cause the flag and pole to fall over in the slightest breeze so be sure that you get a good fit before you drill the base.

If you are using a handheld drill, it is possible to achieve a straight hole by holding a board to the top of the drill with a level and push, drilling down while checking the depth. Do not drill all the way through the base as shown (fig 5).

After checking the fit of the flag pole again you can stain or paint the base to match your household colors. That is it! You will use this base for the household banner, knights pennon and banner and any other flag that can be fixed to a pole for display.

If you are unsure about building the base or need any tools or advice, ask a member of the carpenters guild to assist you. They will be happy to help you build your display base.

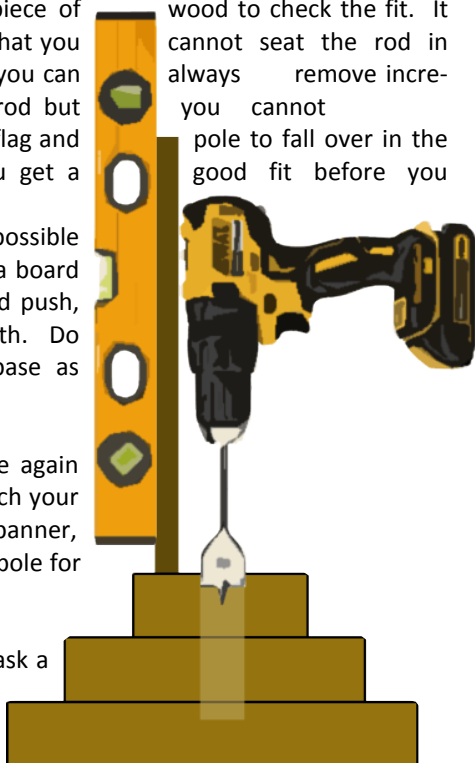
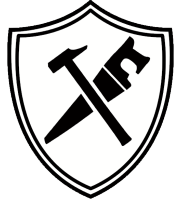


Figure 6



The Carpenters Guild

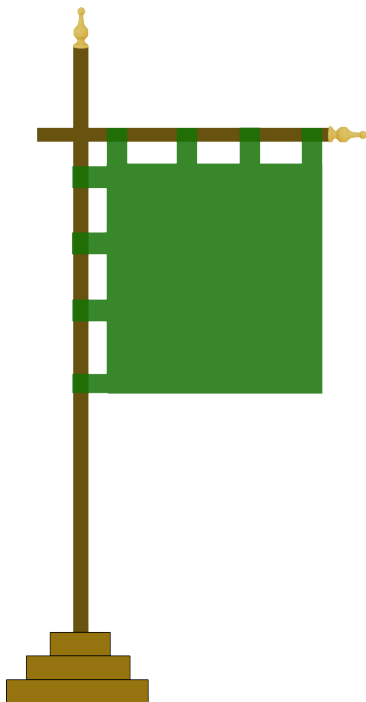
Display Base



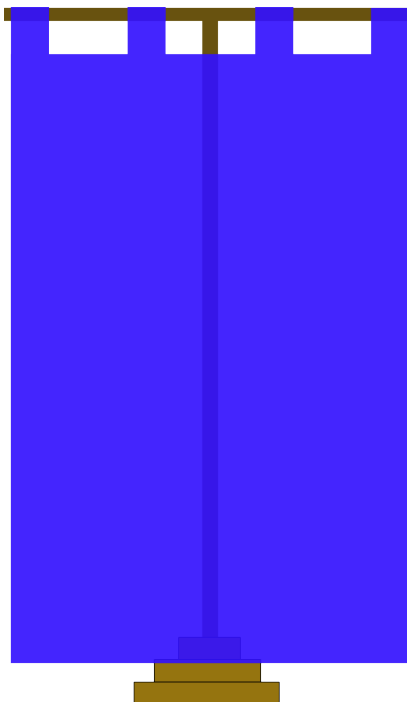
The Men of Iron Display Base is a multi use base that can be utilized for several different flags and banners.

It serves as the standard base for the Household Standard, Household Banner and the Knights Pennon when not used in conjunction with the Personal Arming Rack.

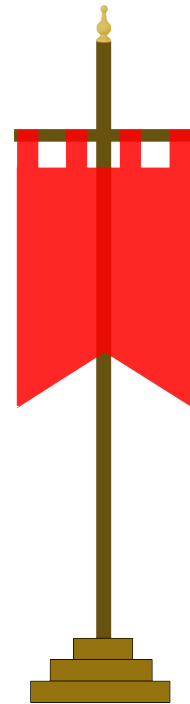
This simple but valuable piece of equipment is a must have for anyone who wishes to display a free standing flag or banner in Men of Iron.



Display Base with Household Standard



Display Base with Household Banner



Display Base with Knights Pennon